

SMALL Y COMPACT LINE

NEW

OUTDOOR UNITS - PUMY-SP Y(V)KM(-BS)



COMPACT SIZE AND LOW WEIGHT

MAXIMUM FLEXIBILITY OF CONNECTION THROUGH BRANCH BOX

TOP OF THE RANGE EFFICIENCY



SUPER SILENT MODE

UP TO 30 PA STATIC PRESSURE OUTDOOR FAN UNIT

FLEXIBLE PIPE CONNECTION

Compact dimensions


The new SMALL Y COMPACT (PUMY-SP) delivers the power and performance of a VRF system in residential applications with a significantly smaller footprint than ever before, thanks to its new single-fan design.

<p>PUMY-P YKM3(-BS)</p>  <p>Height 1,338mm</p> <p>Weight 125kg</p>		<p>PUMY-SP Y(V)KM(-BS)</p>  <p>27% down Height 981mm</p> <p>25% down Weight 94kg</p>
-------------------------------------------------------------------------------------------------------------------------------------------------------------------	-----------------------------------------------------------------------------------	------------------------------------------------------------------------------------------------------------------------------------------------------------------------------------------------------------


Easy installation and transport


The compact chassis of the SMALL Y COMPACT (PUMY-SP) and above all its low height (under one metre) make the machine suitable for installation on balconies. The low weight makes the unit easy to transport.

THE OUTDOOR UNIT CAN BE INSTALLED ON BALCONIES




↓





↓



Top of the range efficiency

Despite its compact size and low weight, the new SMALL Y COMPACT (PUMY-SP) provides top of the range efficiency. This reduces operating costs.



Super Silent Mode

The SMALL Y COMPACT (PUMY-SP) is the first model in the range that can operate in the new "Super Silent" mode, which reduces sound emission by -10dB(A). It is therefore possible to install the unit even in particularly sensitive acoustic environments.

*The optional PAC-SC36NA-E connector is required in order to activate "Super Silent" mode.
*System capacity is reduced if "Silent" or "Super Silent" mode is activated.

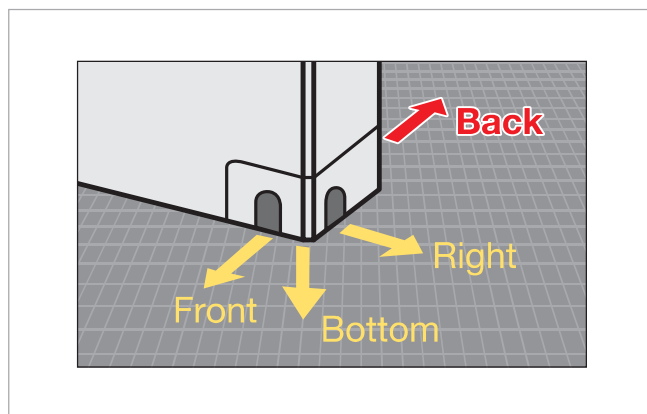
Geometric limits

The compactness of the new model SMALL Y COMPACT (PUMY-SP) does not affect the system's flexibility, so it is still possible to have extended and capillary pipe development.

GEOMETRIC LIMITS	
	PUMY-SP112/125/140 VKM(-BS)/YKM(-BS)
Total length of pipes	120 m
Total pipe length after branch box/boxes	95 m
Maximum level difference between UI and UE (UE above)	50 m
Maximum height difference between UI and UE (UE below)	30 m

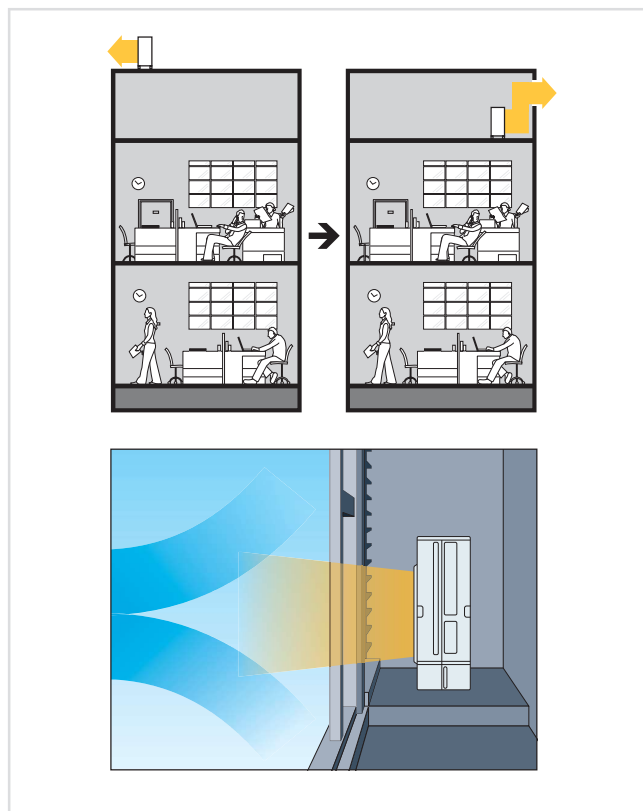
Flexible connection

The new SMALL Y Compact line is equipped with front, side, rear and lower refrigeration connections, making it easier to install.



Static pressure outdoor fan unit

The 30 Pa static pressure option increases flexibility in the choice of the unit's installation point.



Connectivity

SMALL Y COMPACT (PUMY-SP) single-fan units can be connected to Residential and Commercial line indoor units by branch-box PAC-MK31(3)/51(3). It is also possible to create mixed systems with VRF indoor units and residential and commercial units. Thanks to these features, the system has essentially unlimited flexibility, serving every need.

New Branch Box (3 and 5 connections) - Total flexibility

The new Branch Boxes are designed to give the system the highest possible flexibility of configuration. It is therefore possible to create systems with CITY MULTI VRF units, consisting exclusively of Residential/Commercial Series indoor units or mixed systems in which the two types of units coexist.

